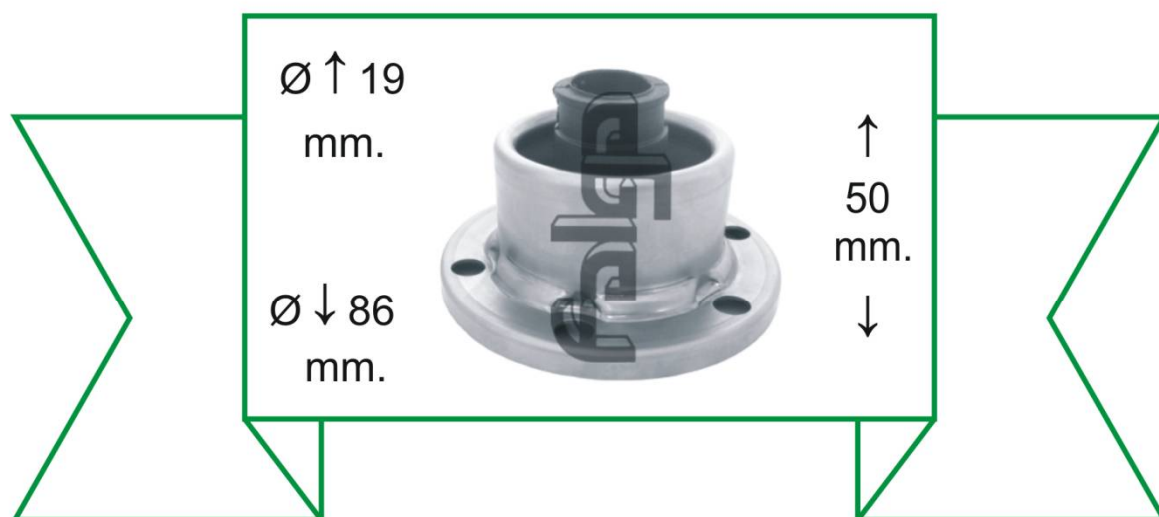




Rubber  
and  
thermoplastic  
solutions



Rif. / Ref.  
**1951**



Ghiera  $\varnothing 86$  mm.  
Fori  $\varnothing 8.5$  mm

Flange  $\varnothing 86$  mm.  
Hole  $\varnothing 8.5$  mm

Cuffia per albero di trasmissione cardanico  
FIAT PANDA II+III 4x4 (OE 55222107)

CV Boot for propeller shaft  
FIAT PANDA II+III 4x4 (OE 55222107)



Rubber  
and  
thermoplastic  
solutions

Rif. / Ref.  
**1616**



Cuffia lato cambio  
Ghiera  $\text{Ø} 120$  mm.  
Fori  $\text{Ø} 12.5$  mm

Gear box side cv boot  
Flange  $\text{Ø} 120$  mm.  
Hole  $\text{Ø} 12.5$  mm



Rubber  
and  
thermoplastic  
solutions

Rif. / Ref.  
**1441**



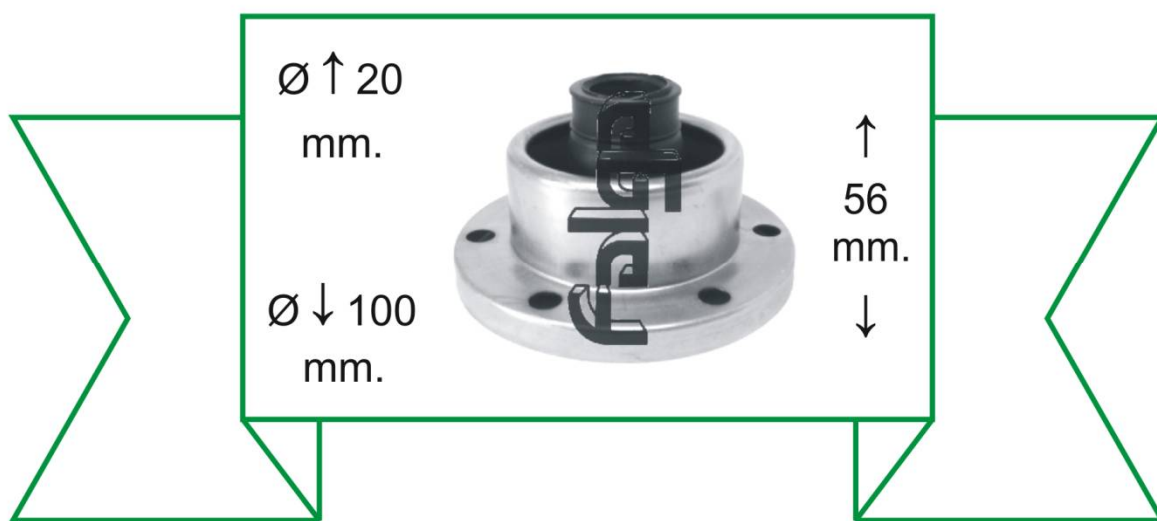
Cuffia Customizzata  
Ghiera  $\text{Ø} 108$  mm.  
Fori  $\text{Ø} 10.5$  mm

Customized Boot  
Flange  $\text{Ø} 108$  mm.  
Hole  $\text{Ø} 10.5$  mm



Rubber  
and  
thermoplastic  
solutions

Rif. / Ref.  
**515**



Cuffia lato cambio  
Ghiera  $\varnothing 100$  mm.  
Fori  $\varnothing 8.5$  mm

Gear box side cv boot  
Flange  $\varnothing 100$  mm.  
Hole  $\varnothing 8.5$  mm